



Decowood | 7 wood decors



**< 9.5 Kg*
Eq. CO₂/sqm**

Carbon footprint

Colours available per product: please see the colour summary hinge



DECOWOOD

DECORATIVE PROTECTION AND COVERING PANEL - 2 MM WOOD DECOR

APPLICATIONS

This panel has been designed to protect from impacts, scratches and frictions whilst offering protection and warmth of a wood effect finish in retirement homes, clinics, schools, hotels...

The product can be thermoformed for use on round pillars (diameter under 800 mm) and to ensure a perfect hygiene in the angles.

DESCRIPTION

- Model: Decowood decorative protection and covering panel
- Standard dimensions: 3 m x 1.30 m
- Custom options: cutting to size, bend into L/U, thermoforming, chamfer
- Thickness: 2 mm
- Material: Bs2d0 fire-rated PVC
- Surface finish: wood decor
- Fixing: adhesive bonding with SPM acrylic glue or SPM MS Polymer glue (no setting time, suitable for damp rooms, patent pending). Joints between panels can be made using silicone joints or PVC welding rods, colour matched to the range.
- Colours: 7 wood decors

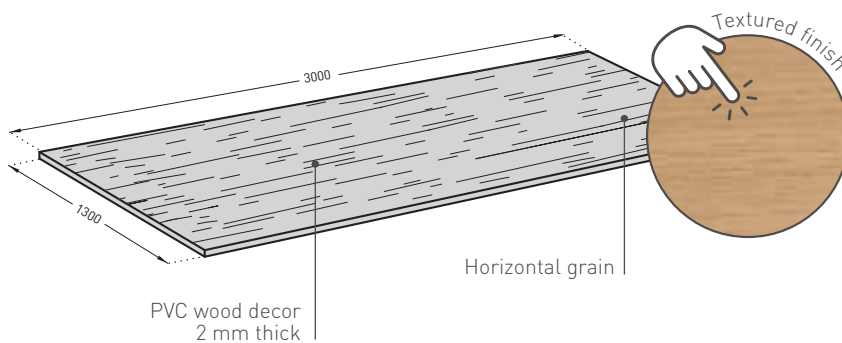
SPECIFICATION

- Description: wood effect decorative protection and covering panel (Decowood as manufactured by SPM) from rigid wood effect PVC achieving Bs2d0 reaction to fire classification, glued full surface with ad hoc glue, and impact and scratch resistance. A protective film is specified to minimise cleaning before acceptance. 3.00 m long, 1.30 m high, 2 mm thick.

- Environment: the product's carbon footprint must be no more than 9.5 Kg Eq. CO₂/sqm* (namely < 0.95 E+01) for 25 years of use and must be validated by an EPD. More than 20% of the product must be made from recycled material. 100% of the product must be recyclable. Its formulation must be free from heavy metals (negligible values of below 50 ppm), as well as CMR1 and CMR2. The product must meet 7 HEQ targets (France). The emission level of volatile substance in inside air must be A+ class and under 15 µg/m³ [according to ISO standard 16000-6].

* Individual EPD certification is in progress: expected 2nd half 2024.

- Colour: selected by architects from manufacturer's standard range.
- Installation method: glue as per manufacturer's instructions (substrate, glue and installation context allowing the Bs2d0 level).



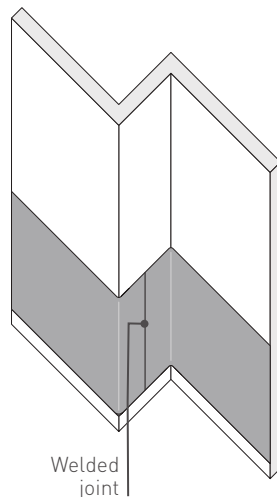
PVC wood decor
2 mm thick

Horizontal grain

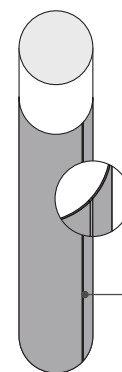
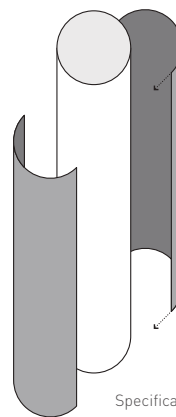
Textured finish



Watch
DECOCHOC
panels
installation
video



Welded
joint



Welded
joint

Specifications and section drawings on our website www.spm-international.com



BimObject in Revit and Archicad